



# STENTEN'S INSTRUCTIONS



## Installation Instructions

BT3YDR

Sand Bottle

Yamaha Drive



### 1. Disable the vehicle

- a. Turn the key switch OFF and remove the key, place the forward/reverse handle in the NEUTRAL position, engage the parking brake, and chock the tires.

### 2. Secure the bottle holder

- a. Attach bottle holder (1) to bottle bracket (2) using the two  $\frac{1}{4}$ " x 20 x 1" flange-head bolts (3) and the two  $\frac{1}{4}$ " x 20 self-locking nuts (4) supplied, as shown (Figure 1).

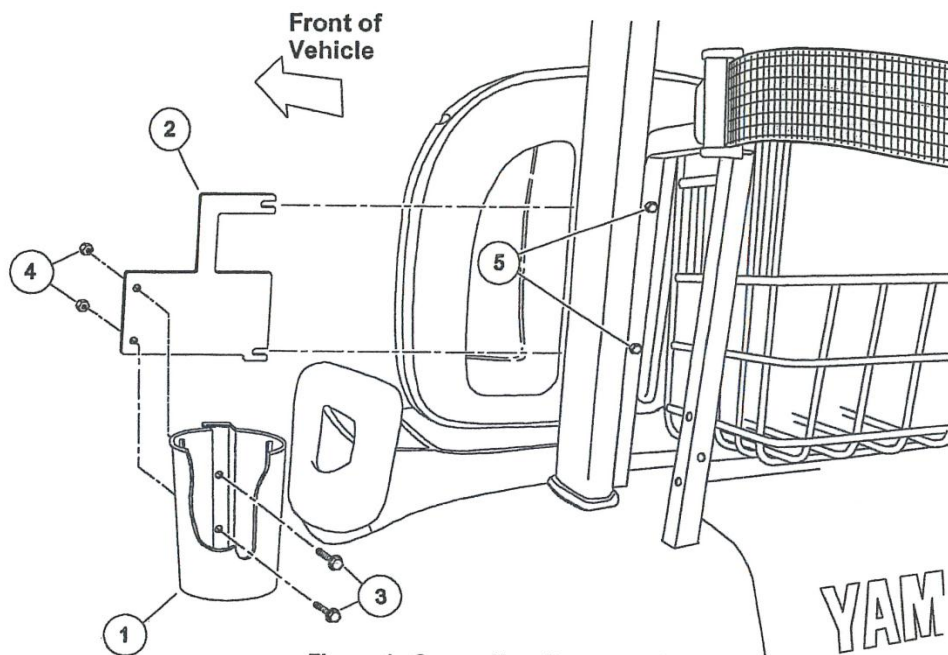


Figure 1 Secure New Components

### 3. Secure the bottle bracket

- a. Loosen the factory seat back mounting bolts (5) approximately three full turns, do not remove. Gently push seat back forward approximately  $\frac{1}{4}$  inch.
- b. Align the slotted mounting holes in the bottle bracket (2) with the seat back mounting bolts (5) and carefully slide the bracket behind the rainwater down-tube until the bracket is fully seated. Tighten the seat back mounting bolts to the factory torque setting.