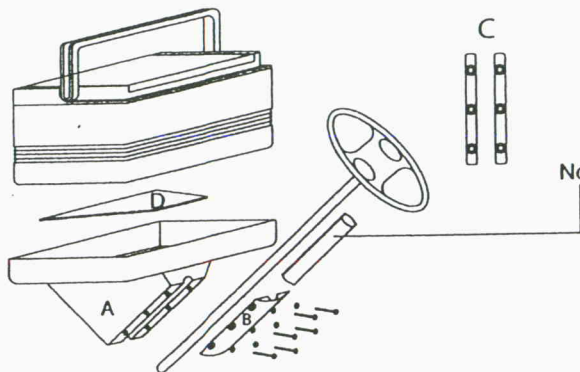


This Instruction Sheet is for the 6 & 12 pack Cooler Tray Installation and Warranty



Note: This part does not come with this kit. This snap cover is to conceal wires for turn signals. It is usually supplied with the turn signal kit, and would be shortened to desired length.

- Step# 1** Place COOLER TRAY on steering colum.
- Step# 2** Using one bolt through the retaining strap, hand start bolt into nut retaining clip. Repeat until all six bolts have been started into clip.
- Step# 3** After all bolts are started, tighten all six bolts until COOLER TRAY is secured firmly on steering column.
- Step# 4** Snap cover into recieving holes. This cover hides the bolts and provides an inside bottom for the tray.

#### Parts List

- A (1) Cooler Tray
- B (1) Steering Column Plate
- C (2) Nut Retainer
- D (1) Cover Plate



(6) 1/4-20-1-3/4"  
Philips Head Bolts



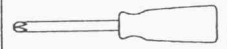
(6) 3/16" Washers



(6) 7/16" Nut

#### Tools Required

#2 Philips Screw Driver



The Cooler Tray has been specifically designed to fit or accept an "Igloo Legend 12 & 6" cooler Exclusively. Granby Trading Co., Inc. strongly urges the end user not attempt to use the Cooler Tray with any cooler other than the "Igloo Legend 12 & 6".